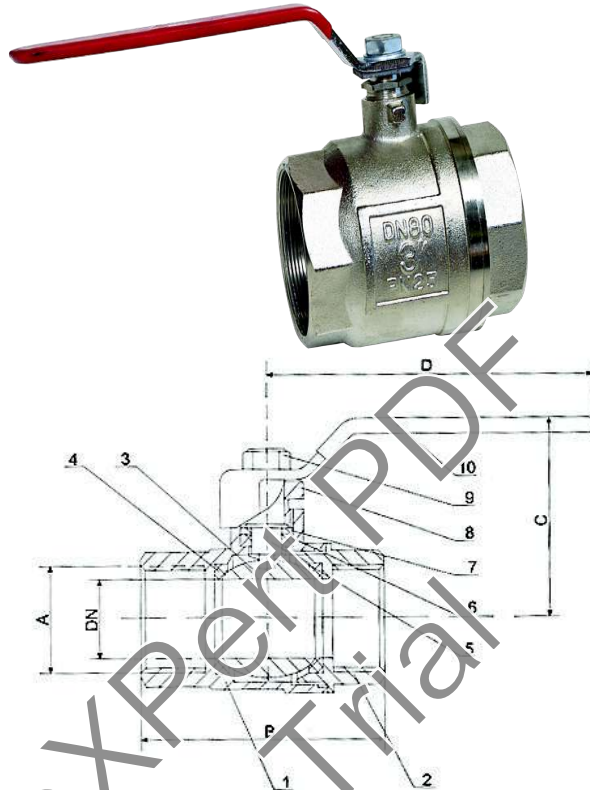




## BRASS CHROME PLATED BALL VALVE - PN20

SPECIFICATIONS	
Screwed ends to BS21	
Full Bore	
Male / Female ends also available up to 2"	



MATERIALS OF CONSTRUCTION	
Part	Material
Body	Forged Brass*
Body cap	Forged Brass*
Stem	Special Brass rod
Ball	Forged Brass (chrome plated)
Seat	PTFE
O ring	PTFE
Handle	Steel (Vinyl sleeve)

DIMENSIONS (in mm)											
<b>A</b>	1/4"	3/8"	1/2"	3/4"	1"	1 1/4"	1 1/2"	2"	2 1/2"	3"	4"
<b>DN</b>	10	10	15	20	25	32	40	50	65	75	100
<b>B</b>	42	42	50	55.6	66.6	75.7	87.2	102	133.2	148.2	171
<b>C</b>	41.7	41.7	43.2	45	54.3	65.3	79.7	87.5	109.4	117.4	131.9
<b>D</b>	75	75	85	85	104	118	150	150	245	245	280

