



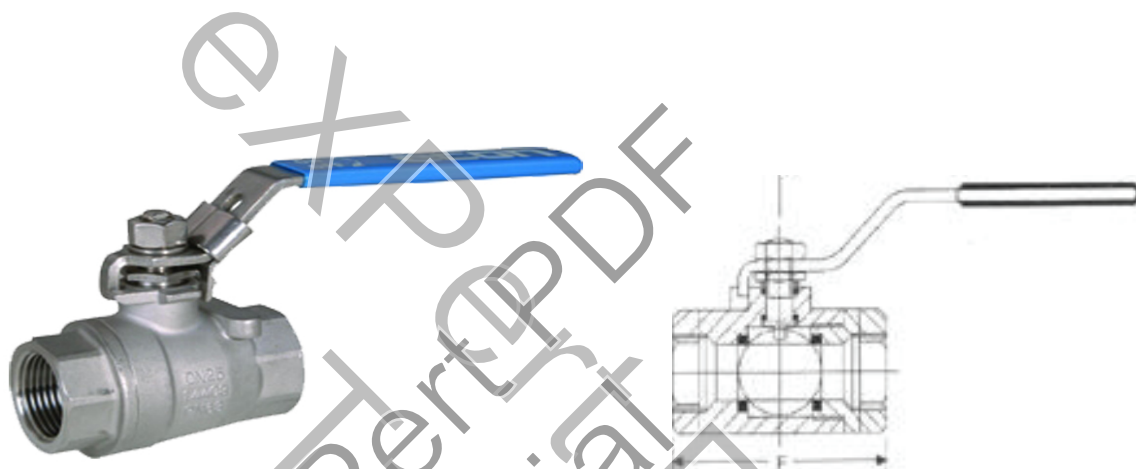
CAST IRON BALL VALVE - Screwed PN16

TESTING & CERTIFICATION

Body Test Pressure	300 Psig Hyd.
Seat Test Pressure	200 Psig Hyd.
	100 Psig Air

SPECIFICATIONS

'SANT' Cast iron ball valve
Stainless Steel Ball
Teflon seats & seal
Inside spindle type
MS Handle with PVC Sleeve
Screwed female (IS:554-1985)
Class 125
Conforming to IS:9890-1981
Maximum recommended working pressure 200 Psig (14 bar g)
Maximum recommended working temperature 200°C



DIMENSIONS (in mm)

Nominal Size	F	L
15	72	150
20	87	150
25	100	172
32	121	140
40	121	203
50	135	203
65	151	260
80	172	260
100	217	385

MATERIALS OF CONSTRUCTION

Components	Material	Material Specification
Body	Cast Iron	IS:210 Gr.FG220
Ball	Stainless Steel	AISI 304
Spindle	Stainless Steel	AISI 410
Body seats & Gland seals	Teflon	PTFE
Stopper, Gland Nut, Handle & Fasteners	Mild Steel	IS:2062
Handle sleeves	PVC	-
Gaskets	CAF	IS:2712 Gr. W/1

