



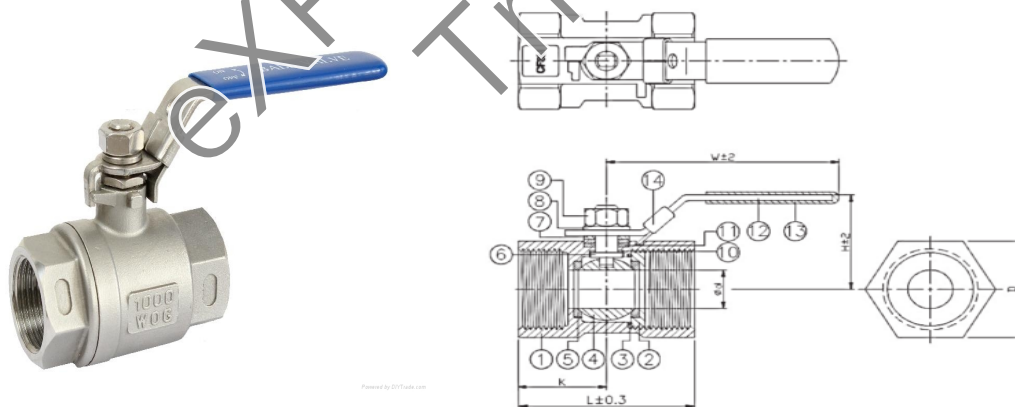
STAINLESS STEEL BALL VALVE - 1 Piece R/Bore

SPECIFICATIONS

Threads conform to ASME B1.20.1 (NPT), DIN 2999 & BS 21, ISO 228/1 & ISO 7/1
Investment Casting
Blow-out proof system
PTFE Seat
Reduced port
Test and Inspection to API598

MATERIALS OF CONSTRUCTION

ITEM	Parts	Material
1	Body	ASTM A351-CF8M & ASTM A216-WCB
2	Retainer	ASTM A351-CF8M & ASTM A216-WCB
3	Gasket	PTFE
4	Ball	ASTM A351 - CF8M
5	Seat	PTFE / RTFE
6	Stem	ASTM A351 - CF8M
7	Gland Ring	AISI 304
8	Spring Washer	AISI 304
9	Nut	AISI 304
10	Thrust Washer	PTFE
11	Packing	PTFE
12	Handle	AISI 304
13	Handle Sleeve	PVC
14	Lock Device	AISI 304



DIMENSIONS (in mm) - PN63

DN	d	L	H	W	K	D	Torque (N-m)	Weight (kg)
8	5	39	35	68	20	17	0.78	0.07
10	7	44	42	74	23	21.5	0.98	0.1
15	9	56.5	42	96	29	25	1.18	0.19
20	12.5	59	44	98	29	32	1.76	0.26
25	15	71	57	115	35	38	2.94	0.4
32	20	78	62	115	38	49	4.9	0.68
40	25	83	62	163	40.5	53	7.35	0.9
50	32	100	68	163	49	65	8.82	1.4

