



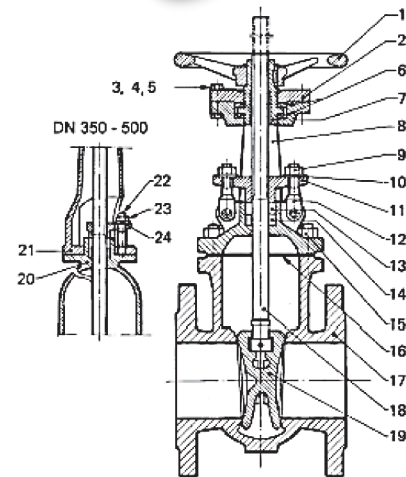
STAINLESS STEEL GATE VALVE - PN16

SPECIFICATIONS

Design	DIN2632
Face to Face	DIN3204 F4
Flanges	BS4504
Test	EN1092-1:2000

MATERIALS OF CONSTRUCTION

ITEM	PART NAME	MATERIAL
1	Handwheel	Nodular iron (DN 350 Steel)
2	Plate	Stainless steel SS 2343
3	Hex. screw	Stainless steel SS 2343
4	Washer	Stainless steel
5	Hex. nut	Stainless steel SS 2343
6	Bearing	Steel
7	Stem nut	Brass SS 5170
8	Bonnet	Stainless steel EN 1.4408
9	Hex nut	Stainless steel SS 2343
10	Washer	Stainless steel
11	Gland	Stainless steel SS 2343
12	Eye Bolt	Stainless steel SS 2343
13	Stuffing box	PTFE
14	Box ring	PTFE / Glass fibre
15	Stud/Hex screw	Stainless steel SS 2343
16	Bonnet gasket	Reinforced graphite
17	Body	Cast stainless steel EN 1.4408
18	Stem	Cast stainless steel SS 2324
19	Wedge	Cast stainless steel SS 2324
20	Bonnet	Cast stainless steel EN 1.4408
21	Yoke bonnet	Cast stainless steel EN 1.4408
22	Stud	Stainless steel SS 2343
23	Hex. nut	Stainless steel SS 2343
24	Washer	Stainless steel



DIMENSIONS & WEIGHTS

DN	DIMENSIONS in mm					Number of wheel turns	Mass in kilograms
	D	E	L	H*	R		
50	165	18	150	375	275	16	16
65	185	18	170	375	275	16	18
80	200	20	180	440	275	23	23
100	220	20	190	525	275	28	30
125	250	22	200	715	275	39	46
150	285	22	210	715	275	39	52
200	340	24	230	910	325	43	87
250	405	26	250	1100	325	53	117
300	460	28	270	1290	325	63	168
350	520	30	290	1545	630	62	220
400	580	32	310	1730	710	69	318
500	715	32	350	2070	710	74	500

